

## Ordinary Agitation Tank

### Principle

The rotation of the impeller drives the flowing of the slurry, and under the working of the circular cylinder, small circulations are formed in the tank, which realizes the fully agitating.

### Features

The cylinder is lined with Xinhai wear-resistant rubber with strong resistance to wear and corrosion.

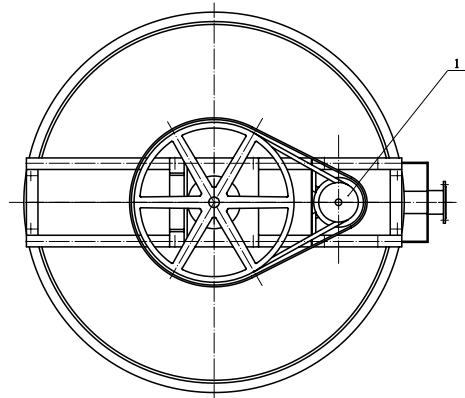
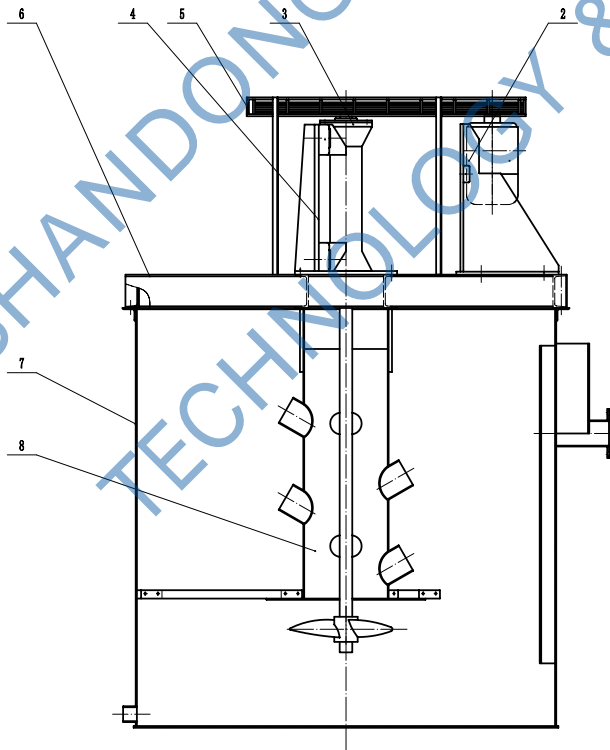
Big linear velocity impeller and strong agitation capability.

### Application

Used for the slurry agitation stirring before the flotation operation.

### Technical Parameters

Model	Effective Volume (m <sup>3</sup> )	Rotating Speed of Impeller (r/min)	Diameter of Impeller (mm)	Motor Model	Motor Power (kW)	Weight (kg)
BJ-500×500	0.0785	493	160	Y80L-4	0.55	120
BJ-750×750	0.25	530	240	Y100L-6	1.5	240
BJ-1000×1000	0.58	530	310	Y100L-6	1.5	680
BJ-1500×1500	2.2	320	400	Y132S-6	3	790
BJ-1600×1800	2.6	331	400	Y132M2-6	5.5	990
BJ-2000×2000	4.4	230	550	Y132M2-6	5.5	1800
BJ-2000×2500	5.9	230	630	Y160M-6	7.5	2106
BJ-2500×2500	9.2	230	630	Y160M-6	7.5	2766
BJ-3000×3000	14.8	210	700	Y225S-8	18.5	4613
BJ-3500×3500	24	230	850	Y225M-8	22	5980
BJ-4000×4000	45	153	1000	Y250M-8	30	8910



### Structure Drawing of Ordinary Agitation Tank

- Notes:
- 1. Small belt pulley
  - 2. Motor base
  - 3. Vertical shaft assembly
  - 4. Vertical shaft bearing
  - 5. Safety guard
  - 6. Frame
  - 7. Tank body
  - 8. Circulating bucket